

Distributor für die EU, Distributor for the EU, Distributor pro EU, Distributor pre EU,  
Forgalmazó az EU területén.; Dystrybutor dla UE, Distributore per l'UE, Distributeur à l'UE,  
Distribuidor para la UE:

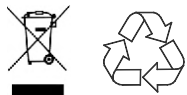
SERIAL Nr.

DALAP GmbH  
Töpfergasse 72  
095 26 Olbernhau, DE  
www.dalap.eu  
info@dalap.eu

**GARANTIE-ZERTIFIKAT  
WARRANTY CERTIFICATE  
ZÁRUČNÍ LIST  
ZÁRUČNÝ LIST  
JÓTÁLLÁSI JEGY  
KARTA GWARANCYJNA  
CERTIFICATO DI GARANZIA  
BON DE GARANTIE  
HOJA DE GARANTÍA  
ГАРАНЦІОННА КАРТА  
CERTIFICAT DE GARANȚIE**

Stempel des Verkäufers, Seller's Stamp, Razitko, Pečiatka, Pecsét helye, Pieczęćka, Timbro, Cachet, Sello:

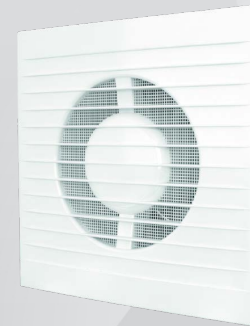
Zeitpunkt des Verkaufs, Date of Sale, Datum prodeje,  
Dátum predaja, Eladás dátuma, Data sprzedaży, Data di  
vendita, Date de vente, Fecha de venta:



Die selektive Sammlung von Elektro-und Elektronikgeräten.  
The selective collection of electronic and electrical equipment.  
Tříděný odpad - elektrická a elektronická zařízení.  
Triedený odpad - elektrické a elektronické zariadenia.  
Szelektív hulladék - elektromos és elektronikus berendezések.  
Sortowany odpad - urządzenia elektryczne i elektroniczne.  
Raccolta differenziata - apparecchi elettrici ed elettronici.  
Déchets triés - dispositifs électriques et électroniques.  
Residuos clasificados - equipos eléctricos y electrónicos.



Die Entsorgung des Produktes darf nicht im unsortierten Siedlungsabfall erfolgen!  
The disposal of electronic and electrical products in unsorted municipal waste is forbidden.  
Po skončení doby použitelnosti, nesmí být likvidován jako součást netříděného komunálního odpadu.  
Po skončení doby použitelnosti, nesmie byť likvidovaný ako súčasť netriedeného komunálneho odpadu.  
A használati időtartam lejártát követően szelektálatlan települési hulladékként kell kezelni.  
Po uplywie okresu żywotności nie może być utylizowany, jako niesortowany odpad komunalny.  
Alla fine del ciclo di vita, non vanno smaltiti come rifiuti urbani non differenziati.  
Une fois le délai de l'applicabilité expiré, le produit ne peut pas être liquidé en tant que partie des déchets de ménage non triés.  
Después de la finalización de la vida útil no debe liquidarse dentro de los residuos comunales no clasificados.



Dalap ST



Dalap FP



Dalap LEA



Dalap DAN

# USER MANUAL

GEBRAUCHSANWEISUNG

HASZNÁLATI ÚTMUTATÓ

MODE D'EMPLOI

NÁVOD K POUŽITÍ

ISTRUKCJA OBSŁUGI

MANUAL DE INSTRUCCIONES

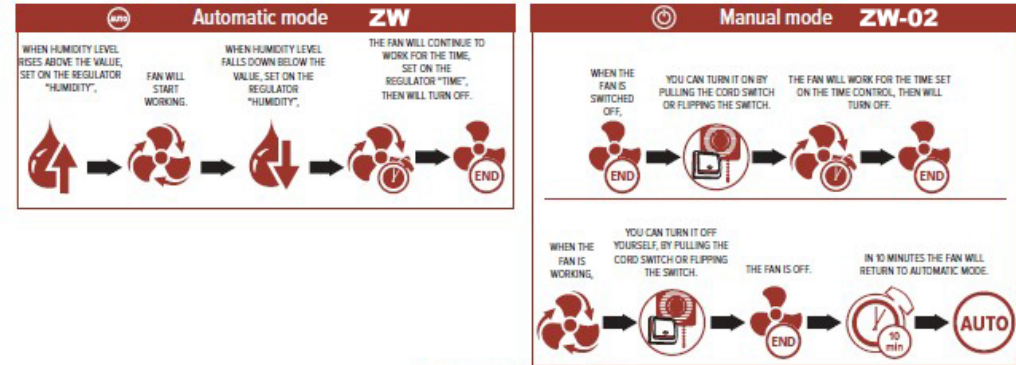
NÁVOD NA POUŽITIE

ISTRUZIONI PER L'USO

# Installation and operation manuals for fans with ZW, ZW-02 options

## Operational algorithms

The fan has two operating modes: automatic and manual.



## Connection and setup

### ! ATTENTION!

- ! **IMPORTANT!** All actions related to the connection, configuration, maintenance and repair of the product must be carried out only when the mains voltage is off (S1 in OFF position).
- ! Regardless of the connection scheme, the device works only when the automatic circuit breaker S1 is on (Fig. 1 and 2). Supply power to the fan, i.e., turn on the circuit breaker S1, only when the front panel of the fan is closed.
- ! Do not use in conjunction with an illuminated light switch, it may cause false activation of the fan.
- ! Do not connect the power of the fan to one switch with a light, otherwise the fan will not work.
- ! To avoid breakdown of the regulators, do not apply excessive force when turning. Use a slotted screwdriver with insulated handle and slot width 3 mm.

## Electrical connection of the fans

1. deenergize the mains by deactivating S1;
2. remove the decorative front panel;
3. remove 5-7 mm of the insulation from the wires;
4. run the power cable through the cable hole in the fan housing;
5. Insert wires into terminal block X2;
6. connect the wires to the contacts according to the connection diagrams (Fig. 1, 2);
7. clamp the wires with cable clamp C1 and screws (fig. 1, 2);
8. adjust the timer and the humidity level by the corresponding regulators on the board;
9. align the clips of the decorative panel with the grooves in the case, fix the panel with the screw;
10. apply voltage to the fan.

Fig. 1 Installation and electrical diagrams for connecting the fan with the ZW option (only automatic mode) and ZW-02

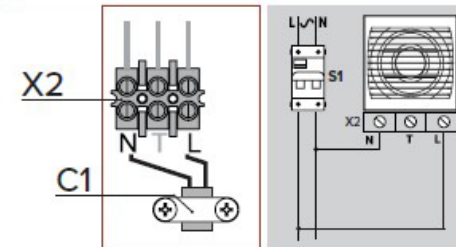


Fig. 2 Installation and electrical diagrams for connecting the fan with the ZW option (automatic and manual modes)

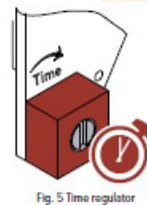
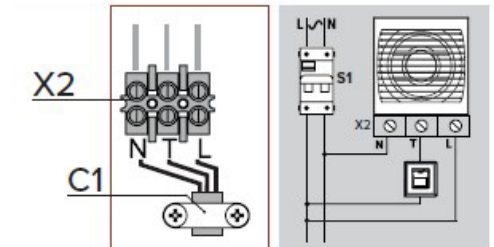


Fig. 5 Time regulator

### Timer setting

The timer operation time (from 15 sec to 45 min) is set by turning the regulator "Time" (Fig. 5) on the microprocessor board using a flat slotted screwdriver (slot width 3 mm). The extreme left position of the regulator corresponds to 15 seconds, and the extreme right position corresponds to 45 minutes.

### Setting the humidity sensor

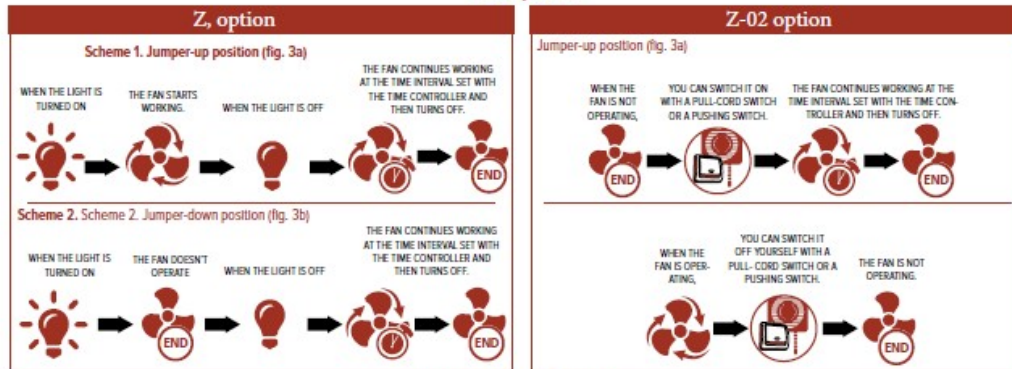
The maximum humidity level is set by turning the regulator "Humidity" (Fig. 6) on the microprocessor board using a flat slotted screwdriver (slot width 3 mm). The extreme left position of the regulator corresponds to 60% relative humidity, and the extreme right corresponds to 95% RH.



Fig. 6 Humidity regulator  
Humidity 60-95 %

# Installation and operation manuals for fans with Z, Z-02 options

## Fan options



## Connection and setting

**ATTENTION!**

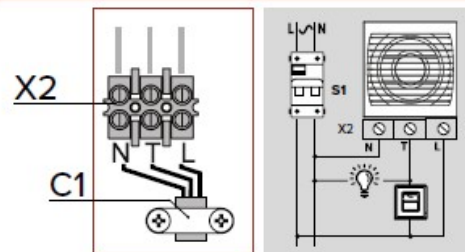
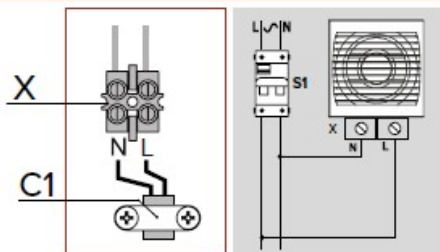
**! ATTENTION !** The connection, setting, service and maintenance of the device must be carried out only the mains line having no current (S1 being in OFF position).  
**! Regardless the connection scheme, the device operates only the automatic breaker S1 (fig. 1 and fig.2) being on. It is allowed to energize the fan (i.e. turn the automatic breaker S1 on) only the face panel being on.**  
**! Don't connect to the LED switch. May cause unintentional activation of the fan.**  
**! Don't connect to the light switch otherwise the fan will not operate.**  
**! To prevent the controllers from breaking down do not over-twist them. Use flat screwdriver with a 3mm slot and Insulated handle.**

## Connection of the fan

1. De-energize S1 line;
2. Take off the decorative face panel;
3. De-insulate the cables (5-7 mm);
4. Pull the mains cable through the cable hole in the fan case;
5. Connect the cables with the terminal block X2 (X);
6. Connect the cables with the contact elements according to the connection scheme (fig.1,2);
7. Clamp the cables with C1 cable clamp and the screws (fig.1,2);
8. Set the time needed with the TIME controller (fig.4) and with the jumper choose the desirable working scheme on the circuit board (fig.3);
9. Match the face panel pin lock with the holes in the fan body, fasten the panel with the screw;
10. Turn on the fan (energize S1 line).

Fig.1 Electric and mounting scheme for connection of the fan with Z-02 options

Fig.2 Electric and mounting scheme for connection of the fan with Z option



### The setting of the jumper

The working schemes are chosen with the changing of the jumper's position on the circuit board (fig.3).

### The setting of the timer

The working period of the timer (from 15 sec to 45 min) is set by means of rotating the TIME controller on the circuit board with a flat screwdriver with a 3mm slot. The left-most position corresponds to 15 sec, the rightmost position corresponds to 45 min.

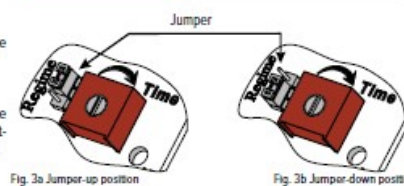


Fig. 3a Jumper-up position

Fig. 3b Jumper-down position

## VERWENDUNG

Der axiale Kleinraumventilator ist für die Entlüftung kleiner oder mittelgroßer Wohn- und Geschäftsräume bestimmt. Die Ventilatoren können für den ununterbrochenen Betrieb verwendet werden.

## WARTUNG

Die Wartung führen Sie lediglich nach dem Trennen vom elektrischen Netz durch. Führen Sie die Wartung mindestens einmal jährlich durch. Reinigen Sie den Ventilator nach der Entnahme mit einem weichen, in schwacher Seifenlösung getränkten Tuch. Achtung! Vermeiden Sie das Anfeuchten der elektrischen Teile des Ventilators, vor allem des Motors. Wischen Sie den Ventilator nach der Reinigung trocken und geben Sie ihn an den ursprünglichen Ort zurück.

## FUNKTION

Kleinraumventilatoren sind mit einer Zeitschalterfunktion, einem Feuchtigkeitssensor, einem Zugschalter sowie mit einem Bewegungssensor erhältlich.

## INSTALLATION

### Ventilator ohne Zusatzfunktionen (Abb. 1)

- Entfernen Sie das vordere Gitter
- ziehen Sie das Versorgungskabel durch die für das Kabel bestimmte Öffnung (1)
- Führen Sie die Leiter an die Klemmenleiste X und befestigen Sie sie mittels Festziehen der Schrauben an der Klemmenleiste
- befestigen Sie die Leiter mithilfe der Kabelklemme (2)
- Geben Sie das vordere Gitter zurück und befestigen Sie des mittels der Schraube

### Ventilator ohne Zusatzfunktionen mit Zugschalter

- Entfernen Sie das vordere Gitter
- installieren Sie den Umschalter S3 im Körper des Ventilators
- schließen Sie die Leiter durch Einschieben der Spitzen 3 in die Lage Umschalter S3 an
- ziehen Sie das Versorgungskabel durch die für das Kabel bestimmte Öffnung (1)
- Führen Sie die Leiter an die Klemmenleiste X und befestigen Sie sie mittels Festziehen der Schrauben an der Klemmenleiste
- befestigen Sie die Leiter mithilfe der Kabelklemme (2)
- Geben Sie das vordere Gitter zurück und befestigen Sie des mittels der Schraube

### Ventilator mit Zeitschalter

Der Ventilator mit dem Zeitschalter (Typ Z) wird in der Regel an den Lichtschalter im Raum angeschlossen. Nach dem Verlassen des Raums (Ausschalten des Schalters) bleibt der Ventilator für die mittels des Zeitschalters eingestellte Dauer im regelbaren Bereich von 15 Sekunden bis 45 Minuten in Betrieb.

Der Timer kann in 2 Modi arbeiten. Die Wahl der Modi erfolgt mithilfe des Umschalters am Panel:

1. Der Jumper ist in der oberen Position (Abb. 3). Der Ventilator beginnt nach dem Einschalten des Lichtes zu laufen und läuft, solange das Licht eingeschaltet bleibt. Nach dem programmgemäßen Ausschalten des Lichtes läuft der Ventilator im mittels des Reglers eingestellten Zeitintervall von 15 Sekunden bis 45 Minuten weiter (elektrischer Schaltkreis Anschluss 2a). Nach dem Einschalten des Ventilators mittels der Taste ohne feste Position (Schaltkreis 2b), schaltet der Timer immer dann, wenn die Taste S3 in der voreingestellten Zeit gedrückt wird. Die Arbeitszeit wird durch Drehen des Reglers „Time“ am Panel des Mikroprozessors mithilfe eines Schraubendrehers eingestellt.

2. Der Jumper ist in der unteren Position (Abb. 4), elektrischer Schaltkreis nur Schema 2a. Der Ventilator beginnt nach dem Ausschalten des Lichtes zu laufen. Der Ventilator beginnt erst nach dem Erlöschen des Lichtes zu laufen, wobei die Entlüftung für die am Timer eingestellte Dauer erfolgt.

- Mithilfe des Schraubendrehers stellen Sie die gewünschte Zeit im Bereich von 15 Sekunden (Linksrotation) bis 45 Minuten (Rechtsrotation) ein

### Ventilator mit Hygrostat (Feuchtigkeitssensor)

Bei einem Ventilator mit einem Feuchtigkeitssensor (Typ W) kann der Sensor im Bereich von 60 % bis 100 % Feuchtigkeit eingestellt werden. Der Ventilator arbeitet dann in gleicher Weise wie beim Ventilator mit Timer. Sofern die Feuchtigkeit nach Beendigung des Arbeitszyklus gemäß den eingestellten Werten höher als der am Sensor eingestellte Grenzwert ist, schaltet sich der Ventilator automatisch wieder ein und läuft für die am Timer eingestellte Dauer.

- Mithilfe des Schraubendrehers stellen Sie die gewünschte Feuchtigkeit im Bereich von 60 % (Linksrotation) bis 100 % (Rechtsrotation) ein

### Ventilator mit Lichtsensor

Für die richtige Arbeitsweise des Ventilators ist der Lichtsensor (Typ M) verantwortlich, welcher auf Licht und Dunkel reagiert und so das Ein- und Ausschalten des Ventilators steuert. Der Ventilator arbeitet dann in gleicher Weise wie beim Ventilator mit Timer.

**HINWEIS! Vor jedem Umgang trennen Sie das Gerät vom elektrischen Netz.**

## USES

This household axial fan is intended for use in small and medium sized residential and non-residential units. The fans may be used for continuous ventilation.

## MAINTENANCE

Only perform maintenance on the fan when disconnected from the mains! Conduct maintenance at least once a year. After removing the fan, clean the blades with a soft rag dampened with a mild solution of soap and water. Be careful not to wet down electrical parts of the fan, especially the motor. Wipe dry and then return the fan to its installed position.

## OPERATION

Household fans may be purchased with a timer switch, a humidity sensor, a pull-cord switch and a motion sensor.

## INSTALLATION

### Fan with no additional functions (Fig. 1)

- Remove the front panel
- pull the power cord through the opening (1) intended for the cord
- Position the conductors at terminal strip X and then mount the individual conductors by tightening the screws at the terminal strip
- secure the conductors using the cable clamps (2)
- Reinstall the front panel and screw in place

### Fan with no additional functions but with a pull-cord switch

- Remove the front panel
- install the switch S3 into the fan body
- connect the conductors by inserting the 3 leads into position switch S3
- pull the power cord through the opening (1) intended for the cord
- Position the conductors at terminal strip X and then mount the individual conductors by tightening the screws at the terminal strip
- secure the conductors using the cable clamps (2)
- Reinstall the front panel and screw in place

### Fan with timer switch

A fan with a timer switch (type Z) is always connected to the room light switch. When leaving the room (turning off the lights), the fan continues to run based on the timer switch setting, which can be adjusted between 15 seconds and 45 minutes.

The timer operates in 2 modes. Select the mode using the jumper on the board:

1. Jumper is in the top position (Fig. 3). Fan is turned on with the lights and operates while the lights are on. Once the lights are turned off, the fan operates based on the program at an interval of 15 seconds to 45 minutes as set on the timer (electrical circuit connection 2a). After the fan is activated using the button with no fixed position (circuit 2b), the timer is on any time button S3 is pressed during the pre-set period. The working time is set by rotating the "Time" regulator on the microprocessor board using a screwdriver.

2. Jumper is in the lower position (Fig. 4) use schematic 2a for the connection of the electrical circuit. The fan turns on after the lights are turned off. The fan begins to run after the lights are off and will run for the period set on the timer.

- Use a screwdriver to set the time interval in a range of 15 seconds (to the left) to 45 minutes (to the right)

### Fan with humidity sensor

The sensor on fans with humidity sensors (type W) can be adjusted in a range of 60% to 100% relative humidity. Fan operation is the same as the fan models with a timer. If humidity is above the sensor's set point after the end of the defined work cycle, the fan automatically turns on again and continues to operate based on the timer settings.

- Use a screwdriver to adjust the humidity set point from 60% (to the left) to 100% (to the right)

### Fan with light sensor

The light sensor (Typ M) is responsible for the correct operation of the fan, reacting to light and dark and thus controlling the switch on and off of the fan. Fan operation is the same as the fan models with a timer.

## WARNING!

**Disconnect the device from the mains before manipulating in any manner.**

## ГАРАНЦИОННИ УСЛОВИЯ

DALAP GmbH гарантира ефективна експлоатация на уреда в съответствие с техническите условия на дебита, посочени в това ръководство. Гаранцията обхваща конструктивните и материални дефекти на уреда. Тази гаранция важи на територията на Европейския съюз.

Гаранцията обхваща безплатен ремонт и евентуалната замяна на изделието в срок до 24 месеца от датата на закупуването му. Рекламацията задължително се обработва в срок до 30 дни от датата на връчване на рекламираното изделие на продавача или производителя. Тази гаранция не изключва, не ограничава и по никакъв начин не накърнява законните права на купувача.

### **Гаранцията не обхваща долупосочените дефекти, възникнали в резултат от:**

- механична повреда, замърсяване,
- трансформация,
- конструктивни изменения,
- дейности, свързани със защитата и почистването на уреда,
- аварии,
- природни бедствия, химически и атмосферни влияния,
- неправилно складиране,
- ремонти и непрофесионални манипулации с уреда, извършвани от некомпетентни лица и лица без необходимите разрешения,
- неправилно инсталиране на уреда.

В тези и подобни случаи гаранционните претенции се отхвърлят.

Клиентът има право на безплатен ремонт и евентуалната замяна на повредения уред, отстраняване на останалите дефекти на уреда, като терминът "ремонт" не включва дейностите, посочени в ръководството (поддръжка, почистване), които клиентът е длъжен да извършва сам.

Решенията по гаранционните претенции, взети от производителя DALAP GmbH, се считат за окончателни.

## ВНИМАНИЕ!

Присъединяването към електрическата мрежа трябва да се извършва от професионален електротехник! Преди поддръжка вентилаторът трябва да се изключи от електрическата мрежа!

Вентилаторът не бива да се използва като противопожарно средство. Производителят си запазва правото да извършва конструктивни промени във връзка с техническия прогрес.

## CONDIȚII DE GARANȚIE

DALAP GmbH garantează funcționarea eficientă a echipamentului în conformitate cu condițiile tehnice de debit specificate în acest manual. Garanția acoperă defecțiunile structurale și materiale ale echipamentului. Următoarea garanție se aplică pe teritoriu Uniunii Europene.

Garanția acoperă reparația gratuită, eventual înlocuirea produsului în termen de 24 de luni de la data cumpărării. Reclamația trebuie soluționată în termen de 30 de zile de la data returnării produsului reclamat vânzătorului sau producătorului. Următoarea garanție nu exclude, nu limitează și nu contestă drepturile legale ale cumpărătorului.

### **Garanția nu acoperă defecțiunile specificate mai jos care au survenit în urma:**

- deteriorării mecanice, murdării
- transformării,
- modificărilor structurale,
- activităților legate de protecția și curățarea echipamentului,
- accidentelor,
- catastrofelor naturale, influențelor chimice și atmosferice,
- deponării necorespunzătoare,
- reparațiilor necompetente și neautorizate și a manipulării neprofesionale a echipamentului,
- instalării necorespunzătoare a echipamentului.

În aceste cazuri și în cazurile similare drepturile la garanție se resping.

Clientul are dreptul la reparație gratuită, eventual înlocuire a echipamentului defect, prin înlăturarea celorlalte defecțiuni ale echipamentului, noțiunea "reparație" nu include activitățile specificate în manual (întreținerea, curățarea) pe care clientul trebuie să le execute singur.

Deciziile privind drepturile la garanție luate de producătorul DALAP GmbH sunt considerate definitive.

## ATENȚIE!

Conectarea la rețeaua electrică trebuie să fie executată de un electrician calificat! Înainte de întreținere ventilatorul trebuie deconectat de la rețeaua electrică!

Ventilatorul nu poate fi utilizat ca și ventilator anti-explozie. Producătorul își rezervă dreptul să facă modificări structurale rezultate din progresul tehnic.

## WARUNKI GWARANCJI

DALAP GmbH gwarantuje efektywne funkcjonowanie urządzenia zgodnie z warunkami technicznymi przepływu podanymi w niniejszej instrukcji. Gwarancja dotyczy wad konstrukcyjnych i materiałowych urządzenia. Poniższa gwarancja obowiązuje na terytorium Unii Europejskiej.

Gwarancja dotyczy bezpłatnej naprawy lub wymiany wyrobu w terminie 24 miesięcy od dnia zakupienia. Reklamacja musi zostać dokonana w terminie 30 dni od dnia doręczenia reklamowanego wyrobu sprzedawcy lub producentowi.

### Gwarancja nie dotyczy podanych poniżej wad powstałych w wyniku:

- uszkodzenia mechanicznego, zanieczyszczenia,
- transformacji,
- zmian konstrukcyjnych,
- czynności związanych z ochroną i czyszczeniem urządzenia,
- wypadków,
- klęsk żywiołowych, działania czynników chemicznych i atmosferycznych,
- nieprawidłowego składowania,
- nieuprawnionych i nieautoryzowanych napraw i nieprawidłowej manipulacji z urządzeniem,
- nieprawidłowej instalacji urządzenia.

W tych i podobnych przypadkach reklamacja nie będzie uznana.

Klient ma prawo do bezpłatnej naprawy, ew. wymiany wadliwego urządzenia przez usunięcie pozostałych wad urządzenia, termin „naprawa” nie obejmuje czynności podanych w podręczniku (utrzymanie, czyszczenie), które klient jest obowiązany wykonywać sam.

Decyzje o warunkach gwarancji podjęte przez producenta DALAP GmbH uważa się za ostateczne.

## UWAGA!

Podłączenie do sieci elektrycznej musi przeprowadzać wykwalifikowany elektryk! Przed rozpoczęciem konserwacji wentylator musi zostać odłączony od sieci elektrycznej! Urządzenie elektryczne musi zostać podłączone do włącznika, który ma odległość między stykami wszystkich zacisków ponad 3 mm. Wentylator musi być uziemiony! Trzeba zastosować środki zapobiegające odwrotnemu przepływowi powietrza do pomieszczenia z otwartego komina. Wentylator nie powinien być używany w pomieszczeniach z wyższą wilgotnością i jako wentylator przeciwybuchowy. Producent zastrzega sobie prawo do zmian konstrukcyjnych wynikających z postępu technicznego.

## CONDIZIONI DI GARANZIA

DALAP GmbH garantisce il funzionamento effettivo dell'apparecchio in conformità con le condizioni tecniche di flusso indicate nelle presenti istruzioni. La garanzia si applica ai difetti strutturali e dei materiali dell'apparecchio. La seguente garanzia vale sul territorio dell'Unione Europea.

La garanzia si applica alle riparazioni gratuite o alla sostituzione dei prodotti, per un periodo di 24 mesi dalla data di acquisto. I reclami devono essere evasi entro 30 giorni dalla data di recapito del prodotto reclamato al venditore o al produttore.

### La garanzia non si applica per i seguenti difetti sorti a causa di:

- danneggiamento meccanico, contaminazione,
- trasformazione,
- modifiche strutturali,
- attività connesse alla protezione e alla pulizia dell'apparecchio,
- incidenti,
- catastrofi naturali, impatti chimici e atmosferici,
- stoccaggio errato,
- riparazioni ingiustificate e non autorizzate e manipolazione non professional dell'apparecchio,
- installazione errata dell'apparecchio.

In questi e in altri simili casi la garanzia decade.

Il cliente ha diritto ad una riparazione gratuita o alla sostituzione dell'apparecchio difettoso e alla riparazione degli altri difetti dell'apparecchio; il termine "riparazione" non comprende le attività elencate nel manuale (manutenzione, pulizia), che il cliente è tenuto ad effettuare da solo.

Le decisioni in merito alle rivendicazioni di garanzia del produttore DALAP GmbH sono da intendersi definitive.

## ATTENZIONE!

La connessione alla rete elettrica deve essere eseguita da un elettricista professionista! Prima della manutenzione, il ventilatore deve essere scollegato dalla rete elettrica! L'apparecchio elettrico deve essere collegato ad un interruttore che abbia una distanza fra i contatti di tutti i poli di oltre 3 mm. Il ventilatore deve essere messo a terra! È necessario impedire il riflusso del gas nel locale attraverso la canna fumaria aperta. Il ventilatore non dovrebbe essere utilizzato in locali con umidità eccessiva o come ventilatore anti-esplosione. Il produttore si riserva il diritto di apportare modifiche strutturali in base al progresso tecnico.

## POUŽITÍ

Domovní axiální ventilátor je určen pro odvětrávání malých nebo středně velkých bytových i nebytových prostor. Ventilátory mohou být používány pro nepřetržitý provoz.

## ÚDRŽBA

Údržbu ventilátoru provádějte pouze po odpojení od elektrické sítě! Údržbu provádějte minimálně jednou ročně. Po vyjmutí, ventilátor očistěte jemným hadříkem namočeným v slabém roztoku vody a saponátu. Pozor na namočení elektrických částí ventilátoru, především motoru. Po očištění utřete ventilátor do sucha a vraťte na původní místo.

## FUNKCE

Domovní ventilátory lze zakoupit s funkcí časového spínače, snímačem vlhkosti, tahovým spínačem, a pohybovým čidlem.

## INSTALACE

### Ventilátor bez přídatných funkcí (obr. 1)

- Odstraňte přední panel
- napájecí kabel protáhněte otvorem (1) určený pro kabel
- Umístěte vodiče do svorkovnice X a upevněte dotažením šroubů na svorkovnici
- upevněte vodiče pomocí kabelové svorky (2)
- Vraťte přední panel a upevněte jej šroubem

### Ventilátor bez přídatných funkcí s tahovým spínačem (typ L)

- Odstraňte přední panel
- nainstalujte přepínač S3 do těla ventilátoru
- připojte vodiče zasunutím hrotů 3 do polohy přepínač S3
- napájecí kabel protáhněte otvorem (1) určený pro kabel
- Umístěte vodiče do svorkovnice X a upevněte dotažením šroubů na svorkovnici
- upevněte vodiče pomocí kabelové svorky (2)
- Vraťte přední panel a upevněte jej šroubem

### Ventilátor s časovým spínačem

Ventilátor s časovým spínačem (typ Z) se zpravidla zapojuje do vypínače světla v místnosti. Po odchodu z místnosti (vypnutí vypínače), ventilátor pokračuje v provozu po dobu nastavenou časovým spínačem, který umožňuje regulovat čas v rozsahu od 15 sekund do 45 minut.

Časovač může pracovat ve 2 režimech. Volba režimů se provádí pomocí propojky na desce:

1. Jumper je v horní poloze (obr. 3). Ventilátor začne pracovat po zapnutí světla a pracuje po celou dobu, kdy svítí. Po vypnutí světla podle programu ventilátor pracuje v intervalu od 15 sekund do 45 minut předem nastavený časem regulátoru (elektrický obvod připojení 2a). Po zapnutí ventilátoru tlačítkem bez pevné polohy (obvod 2b), časovač se zapne vždy, když je stisknuto tlačítko S3 v přednastavené době. Pracovní čas se nastavuje otočením regulátoru "Time" na desce mikroprocesoru pomocí šroubováku.

2. Jumper je v dolní poloze (obr. 4), elektrický okruh připojení pouze schéma 2a. Ventilátor začne pracovat po vypnutí světla. ventilátor začne pracovat až po zhasnutí světla a bude odvětrávat po dobu nastavenou na časovači.

- Pomocí šroubováku nastavte požadovaný čas v rozsahu od 15 sekund (směrem vlevo) do 45 minut (směrem vpravo).

### Ventilátor s hygrostatem

U ventilátoru se senzorem vlhkosti (typ W) lze senzor nastavit v rozmezí 60 % až 100 % vlhkosti. Ventilátor pak pracuje stejně jako u ventilátoru s časovačem. Pokud po ukončení pracovního cyklu podle nastavených hodnot je vlhkost vyšší než hranice nastavená na senzoru vlhkosti, ventilátor se automaticky znovu zapne a pracuje po dobu nastavenou na časovači.

- Pomocí šroubováku nastavte požadovanou vlhkost v rozmezí 60% (směrem vlevo) až 100% (směrem vpravo).

### Ventilátor se světelným senzorem

Světelný senzor (typ M) reaguje na světlo a tmu a v závislosti na tom ovládá spouštění a vypínání ventilátoru. Ventilátor pak pracuje stejně jako model s časovačem.

## UPOZORNĚNÍ!

**Před jakoukoliv manipulací odpojte přístroj od elektrické sítě.**

**POUŽITIE**

Domový axiálny ventilátor je určený pre odvetrávanie malých alebo stredne veľkých bytových i nebytových priestorov. Ventilátory môžu byť používané pre nepretržitú prevádzku.

**ÚDRŽBA**

Údržbu ventilátora vykonávajte len po odpojení od elektrickej siete! Údržbu vykonávajte minimálne raz ročne. Po vybratí, ventilátor očistite jemnou handričkou namočenou v slabom roztoku vody a saponátu. Pozor na namočenie elektrických častí ventilátora, predovšetkým motora. Po očistení utrite ventilátor do sucha a vráťte na pôvodné miesto.

**FUNKCIE**

Domové ventilátory je možné zakúpiť s funkciou časového spínača, snímačom vlhkosti, ťahovým spínačom, a pohybovým snímačom.

**INŠTALÁCIA****Ventilátor bez prídavných funkcií (Obr. 1)**

- Odstráňte predný panel
- napájací kábel prevlečte otvorom (1) určený pre kábel
- Umiestnite vodiče do svorkovnice X a upevnite dotiahnutím skrutiek na svorkovnici
- upevnite vodiče pomocou káblovej svorky (2)
- Vráťte predný panel a upevnite ho skrutkou

**Ventilátor bez prídavných funkcií s ťahovým spínačom**

- Odstráňte predný panel
- nainštalujte prepínač S3 do tela ventilátora
- pripojte vodiče zasunutím hrotov 3 do polohy prepínač S3
- napájací kábel prevlečte otvorom (1) určený pre kábel
- Umiestnite vodiče do svorkovnice X a upevnite dotiahnutím skrutiek na svorkovnici
- upevnite vodiče pomocou káblovej svorky (2)
- Vráťte predný panel a upevnite ho skrutkou

**Ventilátor s časovým spínačom**

Ventilátor s časovým spínačom (typ Z) sa spravidla zapája do vypínača svetla v miestnosti. Po odchode z miestnosti (vypnutie vypínača), ventilátor pokračuje v prevádzke po dobu nastavenú časovým spínačom, ktorý umožňuje regulovať čas v rozsahu od 15 sekúnd do 45 minút.

Časovač môže pracovať v 2 režimoch. Voľba režimov sa vykonáva pomocou prepjky na doske:

1. Jumper je v hornej polohe (obr. 3). Ventilátor začne pracovať po zapnutí svetla a pracuje po celú dobu, kedy svieti. Po vypnutí svetla podľa programu ventilátor pracuje v intervale od 15 sekúnd do 45 minút vopred nastavený časom regulátora (elektrický obvod pripojenie 2a). Po zapnutí ventilátora tlačidlom bez pevnej polohy (obvod 2b), časovač sa zapne vždy, keď je stlačené tlačidlo S3 v prednastavenej dobe. Pracovný čas sa nastavuje otočením regulátora "Time" na doske mikroprocesora pomocou skrutkovača.

2. Jumper je v dolnej polohe (obr. 4), elektrický okruh pripojenie len schéma 2a. Ventilátor začne pracovať po vypnutí svetla, ventilátor začne pracovať až po zhasnutí svetla a bude odvetrávať po dobu nastavenú na časovači.

- Pomocou skrutkovača nastavte požadovaný čas v rozsahu od 15 sekúnd (smerom vľavo) do 45 minút (smerom vpravo)

**Ventilátor s hygrosatom**

U ventilátora so senzom vlhkosti (typ W) možno senzor nastaviť v rozmedzí 60% až 100% vlhkosti. Ventilátor potom pracuje rovnako ako ventilátor s časovačom. Pokiaľ po ukončení pracovného cyklu podľa nastavených hodnôt je vlhkosť vyššia ako hranica nastavená na senzore vlhkosti, ventilátor sa automaticky znovu zapne a pracuje po dobu nastavenú na časovači.

- Pomocou skrutkovača nastavte požadovanú vlhkosť v rozmedzí 60% (smerom vľavo) až 100% (smerom vpravo)

**Ventilátor so svetelným senzom**

O správny chod ventilátora sa stará svetelný senzor (Typ M), ktorý reaguje na svetlo a tmu a v závislosti od toho ovláda jeho spúšťanie a vypínanie. Ventilátor potom pracuje rovnako ako ventilátor s časovačom.

**UPOZORNENIE!**

**Pred akoukoľvek manipuláciou odpojte prístroj od elektrickej siete.**

**CONDITIONS DE GARANTIE**

DALAP GmbH garantit un fonctionnement efficace de l'appareil conformément aux conditions techniques du débit, définies dans le présent mode d'emploi. La garantie couvre des défauts de construction et de matériel de l'appareil. La garantie suivante est valable sur le territoire de l'Union européenne. La garantie concerne une réparation gratuite, éventuellement le remplacement du produit dans un délai de 24 mois depuis le jour d'achat. La réclamation doit être résolue dans un délai de 30 jours depuis la livraison du produit réclamé au vendeur ou au fabricant.

**La garantie ne couvre pas les défauts ci-dessous produits en conséquence de :**

- endommagement mécanique, pollution,
- transformation,
- modifications de construction,
- activités liées à la protection et au nettoyage de l'appareil,
- des accidents,
- catastrophes naturelles, chimiques et des influences atmosphériques,
- stockage non approprié,
- réparations non autorisées et manipulations incompétentes de l'appareil,
- installation incorrecte de l'appareil.

Les droits de garantie sont rejetés dans les cas décrits et dans les cas similaires.

Le client a le droit à une réparation gratuite, éventuellement, au remplacement de l'appareil défectueux, en éliminant autres défauts de l'appareil. La notion "réparation" ne comprend pas des activités décrites au mode (maintenance, nettoyage) que le client a l'obligation de réaliser lui-même.

Les décisions sur les droits de garantie prises par le fabricant DALAP GmbH sont considérées comme finales.

**ATTENTION !**

Le branchement au réseau électrique doit être réalisé par un électricien compétent ! Avant toute maintenance, le ventilateur doit être isolé du réseau électrique ! Le dispositif électrique doit être branché au commutateur avec une distance entre les contacts de tous les pôles supérieure à 3 mm. Le ventilateur doit être mis à la terre ! Il faut éviter un flux rétroactif de gaz de la cheminée ouverte dans la chambre. Le ventilateur ne devrait pas être utilisé dans les chambres démontrant une humidité élevée et en tant que ventilateur évitant une explosion. Le fabricant se réserve le droit de faire des modifications de construction découlant du progrès technique.

**CONDICIONES DE GARANTÍA**

DALAP GmbH garantiza un funcionamiento efectivo del equipo de acuerdo con las condiciones técnicas de flujo, especificadas en este manual. La garantía cubre los defectos de construcción y de material del equipo. La siguiente garantía es aplicable en todo el territorio de la Unión Europea.

La garantía cubre la reparación gratuita, o el recambio del producto dentro de un plazo de 24 meses, a partir de la fecha de compra. Las reclamaciones deben ser solucionadas en un plazo de 30 días, contados a partir del día de la recepción del producto reclamado por el vendedor o el productor.

**La garantía no cubre los defectos indicados a continuación, producidos a consecuencia de:**

- daños mecánicos, la contaminación,
- transformaciones,
- cambios en el diseño de construcción,
- operaciones relacionadas con la protección y limpieza del equipo,
- accidentes,
- desastres naturales, los agentes químicos y atmosféricos,
- almacenamiento inadecuado,
- reparaciones irregulares y no autorizadas y el manejo inadecuado del equipo,
- instalación inadecuada del equipo.

En estos y otros casos similares, no se admiten los derechos de garantía.

El cliente tiene derecho a la reparación gratuita, o al reemplazo del equipo defectuoso, y a la eliminación de otras fallas del equipo. El término "reparación" no incluye las operaciones especificadas en el manual (mantenimiento, limpieza), que el cliente debe realizar por su cuenta.

Las decisiones acerca de los derechos de garantía realizados por el productor DALAP GmbH se consideran definitivas.

**¡ATENCIÓN!**

¡La conexión a la red eléctrica debe ser realizada sólo por un electricista cualificado! ¡El ventilador debe estar desconectado de la red eléctrica, antes de darle mantenimiento! El equipo eléctrico debe estar conectado a un interruptor que tenga una distancia de más de 3 mm entre los contactos de todos los polos. ¡El ventilador debe estar conectado a tierra! Es necesario impedir el reflujo de gas en la habitación desde la chimenea abierta. El ventilador no debería utilizarse en habitaciones con una elevada humedad y como ventilador antiexplosivo. El productor se reserva el derecho de realizar cambios de construcción que resulten de los avances del desarrollo técnico.

## ZÁRUČNÉ PODMIENKY

DALAP GmbH garantuje efektívnu prevádzku zariadení v súlade s technickými podmienkami prietoku, uvedenými v tomto návode. Záruka sa vzťahuje na konštrukčné a materiálové chyby zariadení. Nasledujúca záruka platí na území Európskej únie.

Záruka sa vzťahuje na bezplatnú opravu, popr. výmenu výrobku, v lehote 24 mesiacov odo dňa nákupu. Reklamácia musí byť vybavená v lehote 30 dní odo dňa doručenia reklamovaného výrobku predajcovi alebo výrobcovi. Nasledujúca záruka nevylučuje, neobmedzuje, ani nijako nepopiera zákonné práva kupujúceho.

### Záruka sa nevzťahuje na nižšie uvedené vady vzniknuté v dôsledku:

- Mechanického poškodenia, znečistenia,
- transformácie,
- Konštrukčných zmien,
- Činností spojených s ochranou a čistením zariadení,
- Nehôd,
- Prírodných katastrof, chemických a atmosférických vplyvov,
- Nesprávneho skladovania,
- Neoprávnených a neautorizovaných opráv a neodbornej manipulácie so zariadením,
- Nesprávnej inštalácie zariadenia.

V týchto a podobných prípadoch sa záručné nároky zamietajú.

Zákazník má právo na bezplatnú opravu, popr. výmenu chybného zariadenia, odstránením ostatných väd zariadení, termín "oprava" nezahŕňa činnosti uvedené v manuáli (údržba, čistenie), ktoré je zákazník povinný vykonávať sám. Rozhodnutie o záručných nárokoch urobené výrobcom DALAP GmbH sa považujú za konečné.

## POZOR!

Pripojenie na elektrickú sieť musí byť vykonávané odbornou spôsobilou osobou - elektrikárom! Pred údržbou musí byť ventilátor odpojený od elektrickej siete! Elektrické zariadenie musí byť pripojené na spínač, ktorý má vzdialenosť medzi kontaktmi

všetkých pólov viac ako 3 mm. Ventilátor musí byť uzemnený! Je potrebné zabrániť spätnému toku plynu do miestnosti z otvoreného komína. Ventilátor by nemal byť používaný v miestnostiach s vyššou vlhkosťou a ako proti výbušný ventilátor.

Výrobca si vyhradzuje právo vykonávať konštrukčné zmeny, vyplývajúce z technického pokroku.

## JÓTÁLLÁSI FELTÉTELEK

A DALAP GmbH szavatolja a berendezés hatékony üzemelését az útmutatóban megadott áramlási műszaki feltételeknek megfelelően. A jótállás a berendezés szerkezeti vagy anyaghibáira vonatkozik. Az alábbi jótállás az Európai Unió területén érvényes.

A jótállás a termék díjmentes javítására, illetőleg cseréjére vonatkozik, a vásárlás napjától számított 24 hónapig. A reklamációt a reklamált termék eladó vagy gyártó számára történő kézbesítésének napjától számított 30 napon belül el kell intézni.

### A jótállás nem vonatkozik az alábbi hibákra, amelyek a következő okok miatt keletkeztek:

- mechanikai sérülés, szennyeződés,
- átalakítás,
- szerkezeti módosítások,
- a berendezés ápolásával és tisztításával kapcsolatos tevékenységek,
- balesetek,
- természeti katasztrófák, vegyi és atmoszférikus hatások,
- helytelen tárolás,
- hozzá nem értő és jogosulatlan személyek általi javítások, valamint a berendezés szakszerűtlen kezelése,
- a berendezés helytelen telepítése.

Az ilyen és ezekhez hasonló esetekben a jótállási igények elutasításra kerülnek.

Az ügyfél jogosult a díjmentes javításra és szűkség esetén a hibás berendezés cseréjére, a berendezés többi hibájának elhárításával együtt; a „javítás” fogalma nem foglalja magában a kézikönyvben felsorolt tevékenységeket (karbantartás, tisztítás), amelyeket az ügyfél köteles maga elvégezni.

A DALAP GmbH döntése a jótállási igényekről véglegesnek minősül.

## FIGYELEM!

Az elektromos hálózatra való bekötést kizárólag szakképzett villanyszerelő végezheti el! A karbantartási munkálatok előtt a ventilátort le kell választani az elektromos hálózatról! Az elektromos berendezést olyan kapcsolóhoz kell csatlakoztatni, amely valamennyi pólus érintkezőitől legalább 3 mm távolságra van. A ventilátort földelni kell! Meg kell akadályozni, hogy a füst visszajuthasson a helyiségbe a nyitott kéményből. A ventilátort nem szabad magas páratartalmú helyiségekben használni, sem pedig robbanásgátló ventilátorként használni. A gyártó fenntartja magának a jogot arra, hogy a műszaki fejlődésnek megfelelően szerkezeti módosításokat hajtson végre a terméken.

## PRZEZNACZENIE

Domowy wentylator osiowy jest przeznaczony do wietrzenia małych i średnich pomieszczeń mieszkalnych i niemieszkalnych. Wentylatory mogą być używane do pracy ciągłej.

## UTRZYMANIE

Utrzymanie wentylatora przeprowadzać po odłączeniu od sieci elektrycznej! Utrzymanie przeprowadzać minimalnie raz w roku. Po wyjęciu oczyścić wentylator delikatną szmatką namoczoną w słabym roztworze wody i środka myjącego. Uwaga na zamoczenie części elektrycznych wentylatora, przede wszystkim silnika. Po oczyszczeniu wytrzeć wentylator do sucha i zamontować na miejsce.

## FUNKCJE

Domowe wentylatory można kupić z funkcją timera, czujnikiem wilgotności, łącznikiem ciągu kominowego, i czujnikiem ruchu.

## INSTALACJA

### Wentylator bez funkcji dodatkowych (rys. 1)

- Zdjąć przedni panel
- kabel zasilający przeciągnąć otworem (1) na kabel
- Umieścić przewody w listwie zaciskowej X i umocować dokręcając śruby na listwie zaciskowej
- umocować przewody z pomocą zacisku kablowego (2)
- Zamontować przedni panel i umocować go śrubą

### Wentylator bez funkcji dodatkowych z łącznikiem ciągu kominowego

- Zdjąć przedni panel
- zainstalować przełącznik S3 do korpusu wentylatora
- podłączyć przewody zasuważąc groty 3 do pozycji przełącznik S3
- kabel zasilający przeciągnąć otworem (1) na kabel
- Umieścić przewody do listwy zaciskowej X i umocować dokręcając śruby na listwie zaciskowej
- umocować przewody z pomocą zacisku kablowego (2)
- Zamontować przedni panel i umocować go śrubą

### Wentylator z timerem

Wentylator z timerem (typ Z) zazwyczaj podłącza się do wyłącznika światła w pomieszczeniu. Po odejściu z pomieszczenia (wyłączenie wyłącznika), wentylator kontynuuje pracę przez czas nastawiony timerem, który umożliwia regulowanie czasu w zakresie od 15 sekund do 45 minut.

Timer może pracować w dwóch trybach. Wyboru trybu pracy dokonuje się z pomocą pokrętła na płytce:

1. Jumper jest w górnej pozycji (rys. 3). Wentylator zacznie pracować po włączeniu światła i pracuje przez cały czas, kiedy świeci. Po wyłączeniu światła według programu wentylator pracuje w interwale od 15 sekund do 45 minut uprzednio nastawionym czasem regulatora (obwód elektryczny podłączenie 2a). Po włączeniu wentylatora przyciskiem bez stałej pozycji (obwód 2b) timer włączy się zawsze, kiedy zostanie naciśnięty przycisk S3 w uprzednio nastawionym czasie. Czas pracy nastawia się obracając regulatorem "Time" na płytce mikroprocesora z pomocą śrubokręta.

2. Jumper jest w dolnej pozycji (rys. 4), obwód elektryczny podłączenia tylko schemat 2a. Wentylator zacznie pracować po wyłączeniu światła. Wentylator zacznie pracować dopiero po zgaśnięciu światła i będzie wietrzył przez czas nastawiony na timerze.

- Z pomocą śrubokręta nastawić żądanych czas w zakresie od 15 sekund (w kierunku w lewo) do 45 minut (w kierunku w prawo)

### Wentylator z higrostatem

W przypadku wentylatora z czujnikiem wilgotności (typ W) można czujnik nastawić w zakresie wilgotności od 60 % do 100 %. Wentylator następnie pracuje tak samo, jak w przypadku wentylatora z timerem. Jeżeli po ukończeniu cyklu roboczego według nastawionych wartości wilgotność jest wyższa niż granica nastawiona na czujniku wilgotności, wentylator automatycznie ponownie się włączy i pracuje przez czas nastawiony na timerze.

- Z pomocą śrubokręta nastawić żądaną wilgotność w zakresie od 60% (w kierunku w lewo) do 100% (w prawo)

### Wentylator z czujnikiem światła

Za poprawna prace wentylatora odpowiada czujnik oświetlenia (Typ M), który reaguje na światło lub ciemność i w zależności od tego włącza lub wyłącza wentylator. Wentylator następnie pracuje tak samo, jak w przypadku wentylatora z timerem.

## UWAGA!

Przed jakąkolwiek manipulacją odłączyć urządzenie od sieci elektrycznej.

**HASZNÁLAT**

A házi axiális ventilátort a kicsi vagy közepes méretű lakó- és nem lakóterületek szellőztetésére tervezték. A ventilátorok folyamatos működésre is használhatók.

**KARBANTARTÁS**

A ventilátor karbantartását kizárólag az elektromos hálózatról történő leválasztást követően végezze! A karbantartást minimum évente egyszer végezze el. Az eltávolítás után a ventilátort tisztítsa meg puha ruhával, amelyet enyhé mosószeres vizes oldatba mártott. Ügyeljen arra, hogy a ventilátor elektromos részeit, főként a motort ne érje nedvesség. A tisztítást követően törölje szárazra a ventilátort és helyezze vissza az eredeti helyére.

**FUNKCIÓ**

A házi ventilátorok időzítő funkcióval, páratartalom-érzékelővel, húzókapcsolóval és mozgásérzékelővel is megvásárolhatók.

**TELEPÍTÉS****Ventilátor további funkciók nélkül (1. ábra)**

- Távolítsa el az előlapot.
- a tápkábelt húzza át a kábelnyíláson (1) keresztül
- Helyezze el a vezetékeket az X terminálba és rögzítse a csavarok meghúzásával a terminálon.
- rögzítse a vezetékeket a kábelsaruval (2)
- Helyezze vissza az előlapot és rögzítse csavarral.

**Ventilátor további funkciók nélkül, húzó kapcsolóval**

- Távolítsa el az előlapot.
- szerelje fel az S3 kapcsolót a ventilátor házába
- csatlakoztassa a vezetékeket a 3. tűskék behelyezésével az S3 kapcsoló pozícióba
- a tápkábelt húzza át a kábelnyíláson (1) keresztül
- Helyezze el a vezetékeket az X terminálba és rögzítse a csavarok meghúzásával a terminálon.
- rögzítse a vezetékeket a kábelsaruval (2)
- Helyezze vissza az előlapot és rögzítse csavarral.

**Ventilátor időzítővel**

Az időzítővel rendelkező ventilátor (Z-típusú) általában a helyiség világításkapcsolójához csatlakozik. A helyiségből való távozás után (a kapcsoló kikapcsolását követően), a ventilátor folytatja a működését az időkapcsoló által beállított ideig, amely lehetővé teszi az idő szabályozását 15 másodperctől 45 percre.

Az időzítő 2 üzemmódban működhet. Az üzemmód megválasztása a lemezen található átkapcsoló eszközzel történik:

1. A jumper a felső pozícióban van (3. ábra). A ventilátor a világítás bekapcsolását követően lép működésbe és mindaddig működik, amíg világít. A lámpa kikapcsolását követően a program szerint a ventilátor 15 másodperc és 45 perc közötti időtartamban működik, amelyet a vezérlő idejével állítottak be (a csatlakoztatás elektromos áramköre 2a). A ventilátor bekapcsolását követően a nyomógombbal rögzített pozíció nélkül (2b áramkör), az időzítő mindig akkor kapcsol be, ha megnyomásra kerül az S3 nyomógomb, az előre beállított időben. A működési idő beállítása a „Time” szabályozó elfordításával történik a mikroprocesszor lemezén, csavarhúzó segítségével.

2. A jumper az alsó pozícióban van (4. ábra). a csatlakoztatás elektromos áramköre csak a 2a séma szerinti. A ventilátor a lámpa kikapcsolását követően kezdi meg a működését. A ventilátor csak a lámpa kikapcsolását követően kezd működni és az időzítőn beállított ideig végzi a szellőztetést.

- Csavarhúzó segítségével állítsa be a kívánt időt 15 másodperc (balra) és 45 perc (jobbra) közötti tartományon belül.

**Ventilátor higrosztáttal**

A nedvességérzékelővel ellátott ventilátor esetén (W-típus) az érzékelő 60% és 100% páratartalom közötti tartományon belül állítható be. A ventilátor ekkor ugyanúgy működik, mint az időzítővel rendelkező ventilátor. Ha a munkavégzési ciklus befejezését követően a beállított értékek szerint a páratartalom magasabb, mint a páratartalom-érzékelőn beállított határérték, a ventilátor automatikusan újra bekapcsol és az időzítőn beállított ideig működik.

- Csavarhúzó segítségével állítsa be a kívánt páratartalmat 60% (balra) és 100% közötti tartományon belül (jobbra).

**Ventilátor fényérzékelő**

A ventilátor működése során a beépített fényérzékelő reagál a fényre és a sötétre, attól függően a vezérlő milyen időzítéssel lett beállítva. A ventilátor ekkor ugyanúgy működik, mint az időzítővel rendelkező ventilátor.

**FIGYELMEZTETÉS!**

**Bármely művelet előtt válassza le a készüléket az elektromos hálózatról.**

**GUARANTEE**

DALAP GmbH assures the efficient operation of the device in accordance with the technical-exploitation conditions attached hereto. The guarantee covers constructional and material defects of devices. The following guarantee is valid at the territory of the European Union.

The guarantee covers free repairation within **24 months** from the date of a purchase.

The following guarantee does not exclude, limit, nor suspend the powers of a buyer.

**Exclusions:**

The guarantee does not cover defects arising as a result of:

- mechanical forces, dirt,
- transformations,
- constructional changes,
- activities connected with conservation and cleaning of the devices,
- accidents,
- natural disasters, chemical and atmospheric factors,
- improper storing,
- unauthorized repairation,
- improper installation of the device.

Guarantee claims shall be refused thereat.

The realization of a client's rights shall happen by the repairation or free replacement of the defective device, removal of other defects of the device, the term „repairation” does not cover the activities provided in the manual (conservation, cleaning), that the user is bound to on his own.

The complaint shall be considered within 30 days from the day the product is delivered to the producer or the seller.

Decisions made by DALAP GmbH connected with the guarantee claims are considered final.

**CAUTION!**

Connecting with the electric network should be carried out by professional electrician with SEP qualifications! Before the conservation, a fan should be disconnected from the electric network! The electrical installation should have a switch with the distance between contacts of all the poles less than 3 mm. The complete grounding system of a fan is required. The inverse flow of gases to the room from open chimney hole or other devices with an open fire have to be avoided, fans should not be used in rooms having increased humidity and as anti-explosion fans. The producer reserves the right to introduce constructional changes, arising of the technical progress.

**ZÁRUČNÍ PODMÍNKY**

DALAP GmbH garantuje efektivní provoz zařízení v souladu s technickými podmínkami průtoku, uvedenými v tomto návodu. Záruka se vztahuje na konstrukční a materiálové vady zařízení. Následující záruka platí na území Evropské unie.

Záruka se vztahuje na bezplatnou opravu, popř. výměnu výrobku, ve lhůtě 24 měsíců ode dne nákupu. Reklamacce musí být vyřízena ve lhůtě 30 dní ode dne doručení reklamovaného výrobku prodejci nebo výrobcí. Následující záruka nevylučuje, neomezuje, ani nijak nepopírá zákonná práva kupujících.

**Záruka se nevztahuje na níže uvedené vady, vzniklé v důsledku:**

- mechanického poškození, znečištění,
- transformace,
- konstrukčních změn,
- činností spojených s ochranou a čištěním zařízení,
- nehod,
- přírodních katastrof, chemických a atmosférických vlivů,
- nesprávného skladování,
- neoprávněných a neautorizovaných oprav a neodborné manipulace se zařízením,
- nesprávné instalace zařízení.

V těchto a obdobných případech se záruční nároky zamítají.

Zákazník má právo na bezplatnou opravu, popř. výměnu vadného zařízení, odstraněním ostatních vad zařízení, termín "oprava" nezahrnuje činnosti uvedené v manuálu (údržba, čištění), které je zákazník povinen provádět sám.

Rozhodnutí o záručních nárocích učiněná výrobcem DALAP GmbH se považují za konečné.

**POZOR!**

Připojení na elektrickou síť musí být prováděna odborným elektrikářem! Před údržbou musí být ventilátor odpojen od elektrické sítě! Elektrické zařízení musí být připojeno na spínač, který má vzdálenost mezi kontakty všech pólů více než 3 mm. Ventilátor musí být uzemněn! Je třeba zabránit zpětnému toku plynu do místnosti z otevřeného komínu. Ventilátor by neměl být používán v místnostech s vyšší vlhkostí a jako protivýbušný ventilátor. Výrobce si vyhrazuje právo provádět konstrukční změny, vyplývající z technického pokroku.



## GARANTIE

Die Dalap GmbH übernimmt die Garantie für den einwandfreien Betrieb des Gerätes bei zweckgemäßem Gebrauch in Übereinstimmung mit den aktuellen technischen Bestimmungen. Die Garantie umfasst alle Mängel, welche auf Konstruktions- oder Materialfehler des gekauften Gerätes zurückzuführen sind. Die folgende Garantieerklärung gilt für das Gebiet der Europäischen Union.

Die Garantie umfasst kostenlosen Ersatz innerhalb von **24 Monaten** ab dem Zeitpunkt des Erwerbs. Die gesetzlich gültigen Rechte des Käufers werden nicht ausgeschlossen oder gemindert.

### Ausschluss

Die Garantie gilt nicht für Mängel, die infolge von:

- Mechanischer Krafteinwirkung, Schmutz,
- Transformationen,
- Baulichen Veränderungen,
- Schäden durch Wartung oder Reinigung des Gerätes,
- Unfälle,
- Naturkatastrophen, chemische und atmosphärische Faktoren,
- unsachgemäße Lagerung,
- unerlaubte Wiedergutmachung
- unsachgemäße Installation des Gerätes.

In diesen Fällen werden die Gewährleistungsansprüche verweigert.

Der Begriff "Wiedergutmachung" bezieht sich ausschließlich auf die Erfüllung der Käuferrechte in Bezug auf Reparatur, kostenlosen Ersatz des defekten Gerätes und die Beseitigung von Mängeln, nicht jedoch auf Schäden, welche durch nicht durchgeführte Wartung oder Reinigung des Gerätes (wie im Handbuch beschrieben) entstehen, da dies in der Verantwortung des Käufers liegt.

Reklamationen sind innerhalb von 30 Tagen ab Erhalt der Ware beim Hersteller oder Verkäufer des Produktes anzuzeigen.

Diese Garantievereinbarung erfolgt auf Grundlage der allgemeinen Geschäftsbedingungen der Dalap GmbH und gilt als bindend.

### Vorsicht!

Das Anschließen an das Stromnetz sollte von einem professionellen Elektriker mit SEP Qualifikation durchgeführt werden! Vor der Wartung oder Reinigung des Gerätes muss dieses vom Stromnetz getrennt werden! Bei der Installation sollte auf einen Abstand zwischen den Kontakten von höchstens 3mm zu den Polen im Schalter geachtet werden. Eine komplette Erdung des Gerätes ist nicht erforderlich. Das Hereinströmen von Gasen in den Raum aus Kaminöffnungen oder anderen Feuerstellen ist zu vermeiden. Die Ventilatoren dürfen nicht in Räumen mit erhöhter Feuchtigkeit oder als Geräte zum Explosionsschutz verwendet werden. Der Hersteller behält sich das Recht baulicher und Technischer Veränderungen im Rahmen von konstruktiven Erneuerungen vor.

## УПОТРЕБА

Битовият аксиален вентилатор е предназначен за проветряване на малки или средно големи битови и небитови помещения. Вентилаторите могат да се използват при непрекъснат режим на работа.

## ПОДДРЪЖКА

Поддръжката на вентилатора следва да се провежда едва след изключването му от електрозахранващата мрежа. Поддръжката следва да се провежда най-малко веднъж годишно. След изваждане, вентилаторът следва да се почисти с мека кърпа, намокрена в слаб воден разтвор на сапонат. Следва да се внимава с намокрянето на електрическите части на вентилатора и преди всичко на двигателя. След почистване вентилаторът следва да се изтрие до сухо и да се върне на предишното му място.

## ФУНКЦИИ

Битовите вентилатори могат да се закупят с превключвател с таймер, с датчик за влага, с осов превключвател и датчик за движение.

## ИНСТАЛИРАНЕ

### Вентилатор без допълнителни функции(фиг. 1)

- Отстранете предния панел
- захранващият кабел следва да се прекара през отвора (1), предназначен за кабела
- Поместете проводниците в кутията X и ги закрепете за кутията чрез винтове
- закрепете проводниците с помощта на скоби за кабели (2)
- Върнете предния панел и го закрепете с винт

### Вентилатор без допълнителни функции, с осов превключвател

- Отстранете предния панел
- инсталирайте превключвателя S3 в корпуса на вентилатора
- съединете проводниците чрез вкарване на краищата 3 до положение на превключвателя S3
- захранващият кабел следва да се прекара през отвора (1), предназначен за кабела
- Поместете проводниците в кутията X и ги закрепете за кутията чрез винтове
- закрепете проводниците с помощта на скоби за кабели (2)
- Върнете предния панел и го закрепете с винт

### Вентилатор с превключвател с таймер

Вентилаторът с превключвател с таймер (тип Z) по принцип се включва към превключвател за светлина в помещението. След излизане от помещението (изключване на превключвателя), вентилаторът продължава да работи до часа, зададен на превключвателя с таймер, който дава възможност да се регулира времето в диапазона от 15 секунди до 45 минути.

Таймерът може да работи в 2 режима. Изборът на режим става с помощта на конектор на пулта.

1. Преходникът е в горно положение (фиг. 3). Вентилаторът започва да работи след включване на светлината и през цялото време, докато свети. След изключване на светлината съгласно програмата вентилаторът работи в интервал от 15 секунди до 45 минути, като следва предварително зададеното на регулатора (електрическата верига на съединението 2a) време. След включване на вентилатора с бутон без сигурно положение (верига 2b), таймерът се включва всеки път, когато е натиснат бутонът S3 в предварително зададеното време. Времето за работа се задава чрез завъртане на регулатора "Time" на пулта на микропроцесора с помощта на отвертка.

2. Преходникът е в долно положение (фиг. 4), електрическата верига на съединението е само според схема 2a. Вентилаторът започва да работи след изключване на светлината. Вентилаторът започва да работи едва след изключване на светлината и проветрява в интервала, зададен на таймера.

- С помощта на отвертка задайте желаното време в диапазона от 15 секунди (посока наляво) до 45 минути (посока надясно)

### Вентилатор с датчик за влага

На вентилатор с датчик за влага (тип W) има възможност датчикът да се зададе в интервала 60 % до 100 % влажност. Самият вентилатор работи по същия начин, по който работи и вентилаторът с таймер. Ако след завършване на работния цикъл съгласно зададените стойности влажността е по-висока, отколкото е зададената на датчика за влага гранична отметка, вентилаторът автоматично се включва отново и работи през време на интервала, зададен на таймера.

- С помощта на отвертка задайте желаната влажност в интервала 60 % (посока наляво) до 100 % (посока надясно)

### Вентилатор с датчик за светлина

Светлинният сензор (тип M) реагира на светлината и тъмнината и в зависимост от това, което изключва вентилатора. Самият вентилатор работи по същия начин, по който работи и вентилаторът с таймер.

**ВНИМАНИЕ!** Преди всяка манипулация изключете уреда от електрозахранващата верига.

## UTILIZARE

Ventilatorul axial casnic este destinat ventilării spațiilor mici sau medii. Ventilatoarele pot fi folosite cu program non-stop.

## MENTENANȚĂ

Mentenanța ventilatorului se efectuează doar după deconectarea de la rețeaua electrică! Efectuați operațiunile de mentenanță cel puțin o dată pe an. Ștergeți ventilatorul cu o lavetă înmuiată într-o soluție slabă de apă cu săpun. Atenție să nu umeziți părțile electrice ale ventilatorului, în special motorul. După curățare, ștergeți ventilatorul până se usucă și puneți-l la locul inițial.

## FUNCȚII

Ventilatoarele casnice pot fi cumpărate cu funcțiile de declanșare cu ceas, senzor de umiditate, declanșare cu manetă și senzor de mișcare.

## INSTALARE

**Ventilator fără funcții auxiliare** (img. 1)

- Îndepărtați panoul frontal
- trageți cablul de alimentare prin orificiul (1) pentru cablu
- Amplasați cablul în blocul terminal X și fixați-l strângând șuruburile pe blocul terminal
- fixați firele cu ajutorul clamei de cabluri (2)
- Puneți panoul frontal la loc și fixați-l cu un șurub

**Ventilator fără funcții auxiliare cu declanșare cu manetă**

- Îndepărtați panoul frontal
- instalați întrerupătorul S3 în corpul ventilatorului
- conectați cablurile prin introducerea vârfurilor 3 în poziția întrerupătorului S3
- trageți cablul de alimentare prin orificiul (1) pentru cabluri
- Amplasați cablul în blocul terminal X și fixați strângând șuruburile pe blocul terminal
- fixați firele cu ajutorul clamei pentru cabluri (2)
- Puneți panoul frontal la loc și fixați-l cu un șurub

**Ventilator cu declanșator cu ceas**

Ventilatorul cu declanșator cu ceas (tip Z) se conectează de obicei la întrerupătorul de lumină din încăpere. După ieșirea din încăpere (și stingerea luminii) ventilatorul continuă să funcționeze pe perioada setată de declanșatorul cu ceas care permite reglarea timpului pe o perioadă între 15 secunde și 45 de minute.

Cronometrul poate funcționa în 2 regimuri. Selectarea regimurilor se face cu ajutorul călăreților de pe placă:

1. Călărețul este în poziția de sus (img. 3). Ventilatorul pornește după aprinderea luminii și rămâne activ cât timp lumina stă aprinsă. După stingerea luminii, conform programului, ventilatorul rămâne activ un interval de 15 secunde până la 45 de minute, interval stabilit înainte de regulatorul cu timp (circuit electric conectat 2a). După pornirea ventilatorului de la buton fără o poziție fixă (circuitul 2b) cronometrul pornește întotdeauna când este apăsat butonul S3 în perioada prestabilită. Timpul de lucru se setează prin răsucirea regulatorului "Time" de pe placa microprocesorului, cu ajutorul șurubelniței.

2. Călărețul este în poziția de jos (img. 4), circuit electric conectat ca în schema 2a. Ventilatorul începe să funcționeze după stingerea luminii și va continua să funcționeze pe perioada stabilită pe cronometru.

- Cu ajutorul șurubelniței, setați timpul dorit între 15 secunde (spre stânga) și 45 de minute (spre dreapta)

**Ventilator cu higrostat**

La ventilatorul cu senzor de umiditate (tip W) senzorul se poate seta între 60 % și 100 % umiditate. Ventilatorul funcționează apoi la fel ca ventilatorul cu ceas. Dacă, după încheierea ciclului de lucru conform valorilor setate, umiditatea este mai mare decât limita stabilită pe senzorul de umiditate, ventilatorul pornește din nou automat și funcționează pe perioada setată pe cronometru.

- Cu ajutorul unei șurubelnițe setați umiditatea dorită între 60 % (spre stânga) și 100 % (spre dreapta)

**Ventilator cu senzor de lumină**

Funcționarea corectă a ventilatorului este asigurată de senzor de lumină care, reacționează la lumină și întuneric și controlează pornirea și oprirea. Ventilatorul funcționează apoi la fel ca ventilatorul cu ceas.

## ATENȚIE!

**Înainte de orice fel de manipulare, deconectați aparatul de la rețeaua electrică.**

## UTILISATION

Ce ventilateur axial est conçu pour ventiler les espaces résidentiels et non résidentiels, de petite et moyenne taille. Il peut être utilisé pour un fonctionnement en continu.

## ENTRETIEN

N'effectuez les opérations d'entretien qu'après avoir débranché le ventilateur du réseau électrique ! Réalisez l'entretien au moins une fois par an. Après l'avoir retiré, nettoyez le ventilateur avec un chiffon doux, légèrement humidifié dans de l'eau avec un peu de détergent. Attention de ne pas mouiller les parties électriques du ventilateur, surtout le moteur. Une fois propre, séchez parfaitement le ventilateur et remettez-le en place.

## FONCTIONNEMENT

Les ventilateurs peuvent être achetés avec une minuterie, un détecteur d'humidité, une tirette et un capteur de mouvement.

## INSTALLATION

**Ventilateur sans fonction supplémentaire**(fig. 1)

- Retirez le capot frontal
- faites passer le câble d'alimentation par l'orifice (1) prévu pour ce câble
- Insérez les fils dans le bornier X et fixez-les en serrant les vis du bornier
- fixez les fils avec le presse-étoupe (2)
- Repositionnez le capot frontal et fixez-le avec une vis

**Ventilateur sans fonction supplémentaire, avec tirette**

- Retirez le capot frontal
- installez le commutateur S3 dans le corps du ventilateur
- branchez les fils en engageant les extrémités 3 dans la position du commutateur S3
- faites passer le câble d'alimentation par l'orifice (1) prévu pour ce câble
- Insérez les fils dans le bornier X et fixez-les en serrant les vis du bornier
- fixez les fils avec le presse-étoupe (2)
- Repositionnez le capot frontal et fixez-le avec une vis

**Ventilateur avec minuterie**

Le ventilateur avec minuterie (type Z) se connecte généralement à l'interrupteur de lumière de la pièce. Lorsque vous quittez la pièce (que vous éteignez la lumière), le ventilateur reste en marche pendant la durée réglée sur la minuterie. Cette minuterie permet de régler la durée entre 15 secondes et 45 minutes.

La minuterie peut fonctionner dans deux modes. Le choix du mode se fait à l'aide d'un shunt sur le panneau :

1. Le jumper est en position haute (fig. 3). Le ventilateur commence à fonctionner au moment où la lumière est allumée et il fonctionne pendant toute la période d'éclairage. Après avoir éteint la lumière, le ventilateur continue de fonctionner pendant une durée de 15 secondes à 45 minutes, selon le réglage qui a préalablement été effectué sur la minuterie (circuit électrique de branchement 2a). Après activation du ventilateur avec la touche sans position fixe (circuit 2b), la minuterie s'active à chaque fois que la touche S3 est appuyée pendant la période pré-réglée. La durée de fonctionnement se règle en tournant le régulateur "Time" sur la carte du microprocesseur à l'aide d'un tournevis.

2. Le jumper est en position basse (fig. 4), circuit électrique de branchement uniquement schéma 2a. Le ventilateur commence à fonctionner après que la lumière est coupée. Le ventilateur commence à fonctionner après que la lumière a été coupée et il continue de fonctionner pendant la durée réglée sur la minuterie.

- Utilisez un tournevis pour régler la durée choisie entre 15 secondes (vers la gauche) et 45 minutes (vers la droite)

**Ventilateur avec hygrostat**

Sur les ventilateurs équipés d'un capteur d'humidité (type W), il est possible de régler le capteur dans une amplitude de 60 à 100% d'humidité. Le ventilateur fonctionne ensuite de façon semblable à celui équipé d'une minuterie. Si à la fin du cycle de fonctionnement selon les valeurs réglées, il est constaté que l'humidité est supérieure à la limite qui a été réglée sur le capteur d'humidité, le ventilateur se réactive immédiatement et fonctionne pendant la durée réglée sur la minuterie.

- Utilisez un tournevis pour régler l'humidité souhaitée dans une amplitude de 60% (vers la gauche) à 100% (vers la droite)

**Ventilateur avec capteur de lumière**

Le capteur de lumière (type M) réagit à la lumière et à l'obscurité et, selon cela, contrôle le démarrage et l'arrêt du ventilateur. Le ventilateur fonctionne ensuite de façon semblable à celui équipé d'une minuterie.

**AVERTISSEMENT ! Débranchez l'appareil de son alimentation avant d'intervenir sur le ventilateur.**

## USO

Este ventilador doméstico axial está destinado a ventilar salas pequeñas o espacios residenciales y y no residenciales de dimensiones medias. Los ventiladores se pueden utilizar para el funcionamiento continuo.

## MANTENIMIENTO

¡Haga el mantenimiento del ventilador solo tras la desconexión de la red eléctrica! Haga el mantenimiento una vez al año. Tras extraerlo, limpie el ventilador con un trapo suave empapado en solución de agua jabonosa. Cuidado con mojar la parte eléctrica del ventilador, sobre todo el motor. Tras la limpieza seque el ventilador y devuélvalo a su posición original.

## FUNCIÓN

Los ventiladores domésticos se pueden comprar con funciones como un temporizador personal, sensor de humedad, interruptor de tracción y sensor de movimiento.

## INSTALACIÓN

### Ventilador sin funciones adicionales (fig.1)

- Aparte el panel delantero
- pase el cable de alimentación por la abertura (1) destinada al cable
- Coloque los cables en la bornera X y apriete los tornillos en la bornera
- fije los cables con una abrazadera de cable (2)
- Devuelva el panel frontal y fijelo con un tornillo

### Ventilador sin funciones adicionales con interruptor de tiro

- Aparte el panel delantero
- instale el conmutador S3 en el cuerpo del ventilador
- conecte los cables insertando los picos 3 a la posición del interruptor S3
- pase el cable de alimentación por la abertura (1) destinada al cable
- Coloque los cables en la bornera X y apriete los tornillos en la bornera
- fije los cables con una abrazadera de cable (2)
- Devuelva el panel frontal y fijelo con un tornillo

### Ventilador con interruptor temporal

El ventilador con interruptor temporal (tipo Z) se conecta al interruptor de la luz en la sala. Tras la salida de la sala (apagado del interruptor), el ventilador sigue en funcionamiento durante el tiempo configurado en el temporizador, el cual se puede regular en un intervalo de 15 segundos a 45 minutos.

El temporizador puede funcionar en 2 modos. La selección del modo se hace mediante el conector en el tablero:

1. Jumper en posición superior (fig. 3). Tras encenderse la luz el ventilador empieza a funcionar y funciona cuando la luz esté encendida. Al apagarse la luz según lo programado el ventilador funciona entre 15 segundos y 45 minutos según lo configurado previamente por el regulador temporal (circuito eléctrico conexión 2a). Tras encender el ventilador con el botón sin posición firme (circuito 2b), el temporizador se enciende siempre, cuando se presiona el botón S3 en el tiempo preestablecido. El tiempo de funcionamiento se ajusta girando el regulador "Time" en el tablero del microprocesador usando un destornillador.

2. Jumper en posición inferior (fig. 4), circuito eléctrico conectado solo el esquema 2a. El ventilador empieza a funcionar tras apagarse la luz. El ventilador empieza a funcionar tras encenderse la luz y ventilará durante el tiempo configurado en el temporizador.

- Con la ayuda de un destornillador ajuste el tiempo requerido entre 15 segundos (hacia la izquierda) y 45 minutos (hacia la derecha)

### Ventilador con higróstato

En un ventilador con sensor de humedad (tipo W) el sensor es ajustable en un rango de humedad entre el 60 % y el 100 %. El ventilador funciona igual que un ventilador con temporizador. Si acabado el ciclo de trabajo según los valores configurados la humedad es superior al límite ajustado en el sensor de humedad, el ventilador se enciende de nuevo automáticamente y funciona durante el tiempo configurado en el temporizador.

- Con la ayuda de un destornillador ajuste la humedad requerida entre el 60% (hacia la izquierda) y el 100% (hacia la derecha)

### Ventilador con sensor de luz

El sensor de luz (tipo M) reacciona a la luz y la oscuridad y, dependiendo de esto, controla el arranque y apagado del ventilador. El ventilador funciona igual que un ventilador con temporizador.

## ¡ADVERTENCIA!

Antes de cualquier manipulación desconecte el aparato de la red eléctrica.

## Diagramm / Diagram / Schéma zapojení / Schéma zapojenia / Diagram / Schemat / Diagramma / Diagramme / Diagrama

Legend of circuit breaker S1 on the scheme



Circuit breaker S1



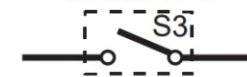
Legend of external switch S2 on the scheme



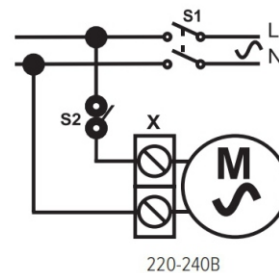
External switch S2



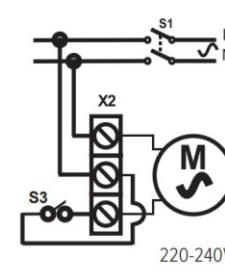
Legend of built-in switch S3 on the scheme



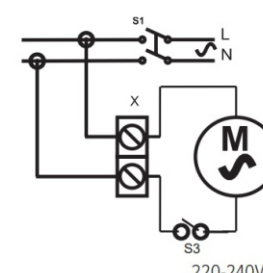
Built-in switch S3 (pull chain switch)



Scheme 1

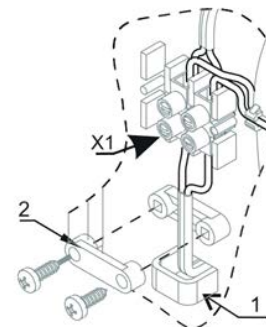


Scheme 2

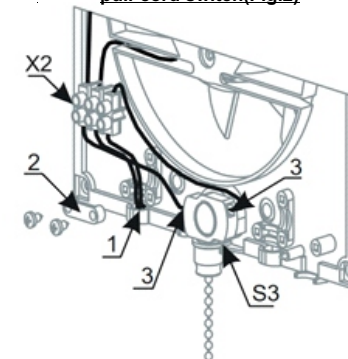


Scheme 3

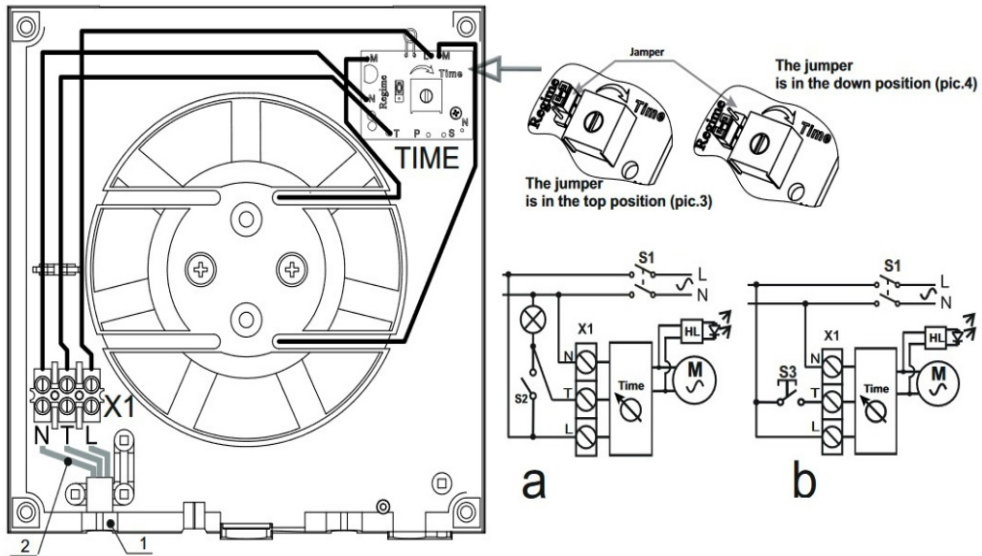
### Fan with no additional functions (Fig.1)



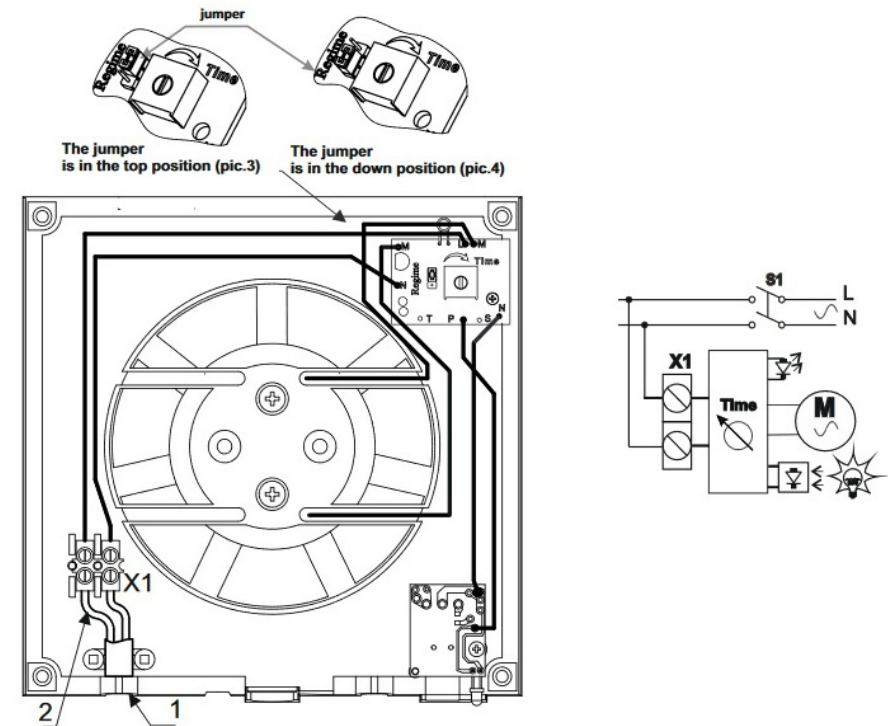
### Fan with no additional functions with a pull-cord switch (Fig.2)



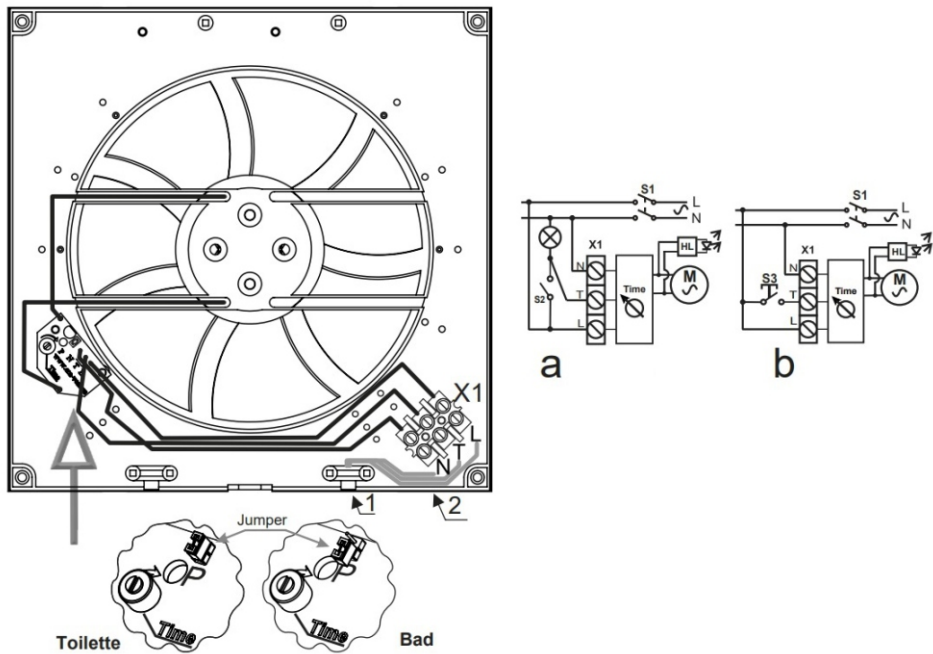
Fan with timer switch (type Z) in diameter 100,125



Fan with light sensor and timer switch (type MZ) in diameter 100, 125



Fan with timer switch (type Z) in diameter 150



Fan with timer switch and pull-cord switch (type LZ) in diameter 100,125

